

LXPTZIP424W-25XIR

4MP 4-inch Network PTZ,
Invisible IR, 25x Optical Zoom



Key Features

- 1/2.8" 4Megapixel STARVIS™ CMOS
- 25x optical zoom
- Max. 25/30fps@4MP
- IR Light Invisible
- IR distance up to 100m
- Auto Tracking Lite
- MD2.0 & VCA & Face detection
- IP66

Specification

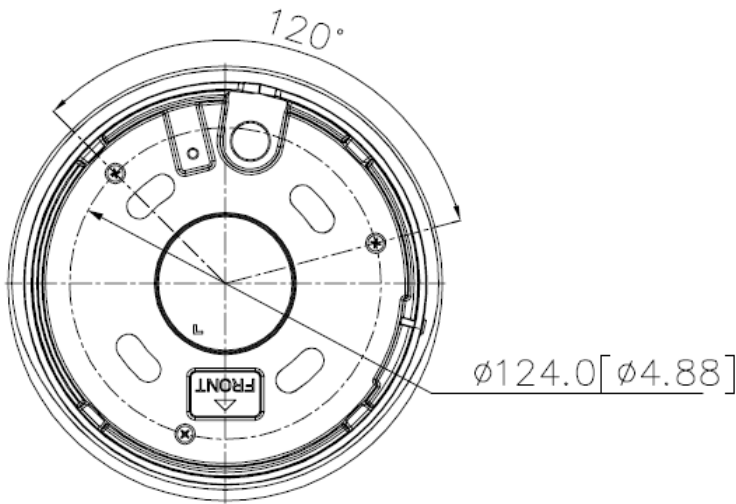
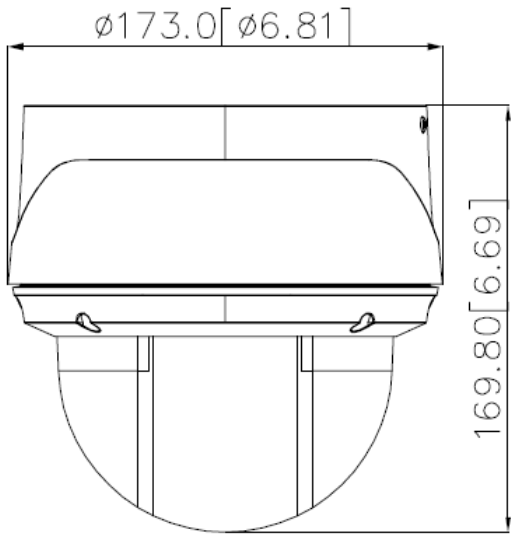
Camera	
Image Sensor	1/2.8" 4Megapixel progressive CMOS
Max. Resolution	2560 (H) × 1440 (V)
Min. Illumination	Color: 0.005 lux@F1.6 B/W: 0.0005 lux@F1.6, 0 Lux with IR light on
Shutter	Electronic 1/1 s-1/30, 000 s
S/N Ratio	> 55 dB
Noise Reduction	2D NR, 3D NR
Wide Dynamic Range	120 dB
Day & Night	Auto(ICR)/Color/B/W
Zoom	25x optical
Focal Length	5 mm-125 mm
Aperture	F1.6–F3.6
Field of View	Horizontal: 51.9°–3.0°, Vertical: 39.7°–2.2°, Diagonal: 63.1°–3.7°
Close Focus Range	0.5 m–5 m (1.64 ft–16.40ft)
Illuminator	4 (Invisible IR)
Illumination Range	100 m (328.08 ft)
Illuminator Control	Manual/ Auto/ Zoom Priority/ Off
Control Speed	Manual, Pan: 0.1°–240°/s, Tilt: 0.1°–160°/s
Power-off Memory	Supported
Video	
Video Compression	H.265, H.264, MJPEG(Sub Stream 1)
Resolution	4M (2560 × 1440), 3M (2304 × 1296), 1080P (1920 × 1080), 1.3M (1280 × 960), 720P (1280 × 720), D1 (704 × 480), VGA (640 × 480), CIF(352 × 288)
Video Frame Rate	Main stream: 4M/3M/1080p/1.3M/720p@(1–30 fps) Sub stream 1: D1/VGA/CIF@(1–30 fps) Sub stream 2: 720p/CIF@(1–30 fps)
Video Stream	3 streams
Bit Rate Control	CBR, VBR
ROI	Supported
Image Rotation	180°
Image Enhancement	BLC, HLC, 3D NR
Defog	Electronic
Image Stabilization	Electronic
Privacy Mask	Supported (24 areas with up to 8 areas in the same view)
PTZ	
Range	Pan: 0°-360° endless, Tilt: -5°to 90°, auto flip 180°
Pan Speed	Manual Control: 0.1° /s – 240° /s, Preset: 0.1° /s – 240° /s
Tilt Speed	Manual Control: 0.1° /s – 160° /s, Preset: 0.1° /s – 160° /s
Preset	300

Patrol	8 (up to 32 presets per patrol)
Pattern	5
Scan	5
Scheduled Task	Preset, Pattern, Tour, Scan
Preset Freezing	Supported
3D Positioning	Supported
Intelligent Analysis	
VCA	Tripwire, intrusion,
MD2.0	Yes, support alarm triggered by vehicle and human
Face Detection	Supported
Auto Tracking lite	Supported, human only
Audio	
Built-in Mic	Not Supported
Built-in Speaker	Not Supported
Audio Compression	G.711a, G.711Mu, PCM,
Audio Bitrate	Sampling rate :PCM(8000Hz; 16000Hz; 32000 Hz) G.711A(8000 Hz); G.711Mu(8000 Hz;)
Event	
Basic Event	Motion/Tampering detection, audio detection, network disconnection detection, IP conflict detection, memory card state detection, memory space detection
Alarm Linkage	Capture, preset, tour, pattern, recordings on SD card, alarm digital input, send email
Network	
Protocol	HTTP, HTTPS, TCP/IP, IPv4, RTSP, SMTP, NTP, DHCP, DNS, DDNS, IPv6, 802.1x, SSL, QoS, FTP, UPnP, SNMP, SNMPv1/v2c/v3(MIB-2), ARP, RTCP, RTP, PPPoE, RTMP, Bonjour, SMB, NFS
Interoperability	ONVIF (Profile S & Profile G & Profile T)
Storage	Micro SD card (512 GB), FTP/SFTP, NAS
Web Browser	Chrome 41 and later versions Firefox 50 and later versions iOS 10 and later versions
PC Client	X Station
APP	PRO-X NEXT
Interface	
Ethernet Interface	RJ-45 (10/100 Base-T)
Alarm I/O	2 input,1 output
Audio I/O	1 input, 1 output
General	
Power	12V DC/ PoE+ (802.3at)
Power Consumption	Max. 20W
Material	Metal
Dimensions	Φ173.0 mm × 169.8 mm (Φ6.81" × 6.69")
Operating Conditions	- 40 °F to +149 °F(-40 °C to +65 °C)
Protection	IP66
Gross Weight	3.2 kg (7.05lb)
Net Weight	2.5 kg (5.51lb)

Certifications	FCC
----------------	-----

Dimensions (mm[inch])

mm [inch]



Accessory

Corner Mount	Ceiling Mount	Wall Mount
LXPDS06+LXWM07+LXCM01	LXPDS06+LXPD03+LXPD06	LXPDS06+LXWM07
		

Note: Use wireframe to show the connection between device and accessory.

Easy Installation



1. Paste the positioning map and hammer the expansion tubes in.



2. Use screws to attach the bracket to the ceiling.



3. Attach the device to the sheet metal bracket.



4. Tighten the screws to prevent the device from loosening and falling.